

COMMERCIAL DOCUMENTATION



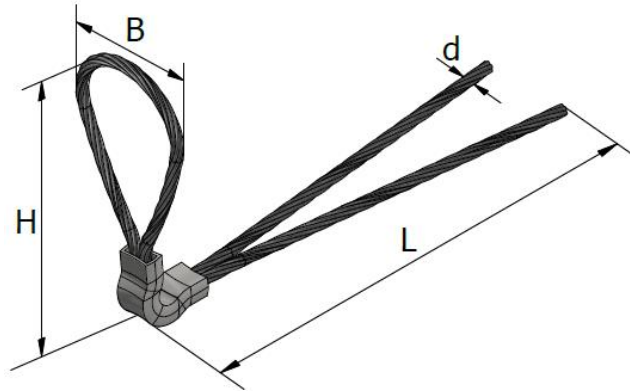
1D - LIFTING SYSTEMS | **TBL – BENDED LOOP**



BENDED LOOP - TBL

The threaded lifting loop is made of high-grade steel wire rope according EN 12385-4, swaged in a steel ferrule made of steel S355JR. A label marked with the admissible load and the code number of the testing is attached to each bended lifting loop. **Before use, check that the wires are in good condition. Do not use if the wire cable is bent, crushed or kinked or if there is any loosening of the outer layer. Discard if the wire is corroded according EN 13414-1.**

Avoid bending the steel wire rope while the precast unit is in storage. Exposed loops can be attached to standard crane hooks, but the curvature radius of the crane hook should at least be equal to the diameter of the wire rope. It is essential to check that the wire rope is in good condition, with no broken, crushed or unravelled wire. Bent lifting loops with any signs of damage should not be used.



TBL	Product no.	Load group $f_{cu} > 30 \text{ MPa}$ [kN]	Wire rope dimensions				Weight [kg/pc]
			d [mm]	H [mm]	L [mm]	B [mm]	
TBL-008	63419	8	6	205	280	90	0.26
TBL-016	63420	16	8	205	330	90	0.42
TBL-024	63421	24	10	280	330	120	0.70
TBL-040	63422	40	12	280	380	140	1.00

CONTACT



TERWA is the global supplier for precast and construction solutions with multiple offices around the world. With all our staff, partners and agents, we are happy to provide all construction and precast companies who work in the building industry with full service and 100% support.

TERWA CONSTRUCTION GROUP

Terwa Construction Netherlands (HQ)

Global Sales & Distribution
 Kamerlingh Onneslaan 1-3
 3401 MZ IJsselstein
 The Netherlands
T +31-(0)30 699 13 29
F +31-(0)30 220 10 77
E info@terwa.com

Terwa Construction Central East Europe

Sales & Distribution
 Strada Sânzieni
 507075 Ghimbav
 Romania
T +40 372 611 576
E info@terwa.com

Terwa Construction Poland

Sales & Distribution
 Ul. Cicha 5 lok. 4
 00-353 Warszawa
 Poland
E info@terwa.com

Terwa Construction India & Middle East

Sales & Distribution
 India
T +91 89 687 000 41
E info@terwa.com

Terwa Construction China

Sales & distribution
 5F 504, No. 101 Chuanchang road
 PRC, 200032, Shanghai
 China
E info@terwa.com

ALL SPECIFICATIONS CAN BE CHANGED WITHOUT PREVIOUS NOTICE.

DISCLAIMER

Terwa B.V. is not liable for deviations due to wear of the products it has delivered. Neither is Terwa B.V. liable for damage due to inaccurate and/or improper handling and use of the products it has delivered and/or use of same for purposes other than those intended.

Terwa B.V.'s responsibility is furthermore limited in accordance with article 13 of the "Metaalunie" conditions, which are applicable for all Terwa B.V. deliveries. The user is responsible for ensuring compliance with all applicable copyright laws. Without limiting the rights under copyright, no part of this documentation may be reproduced, stored in or introduced into a retrieval system, or transmitted in any form or by any means (electronic, mechanical, photocopying, recording, or otherwise), or for any purpose, without the express written permission of Terwa B.V.